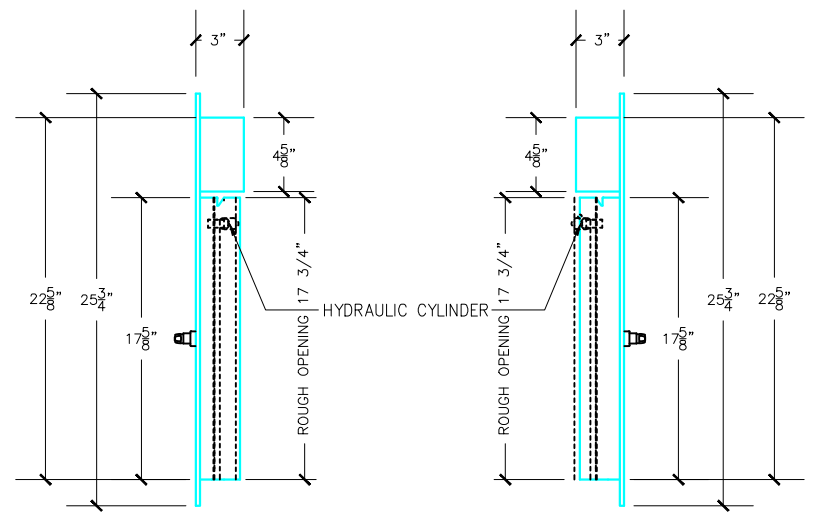


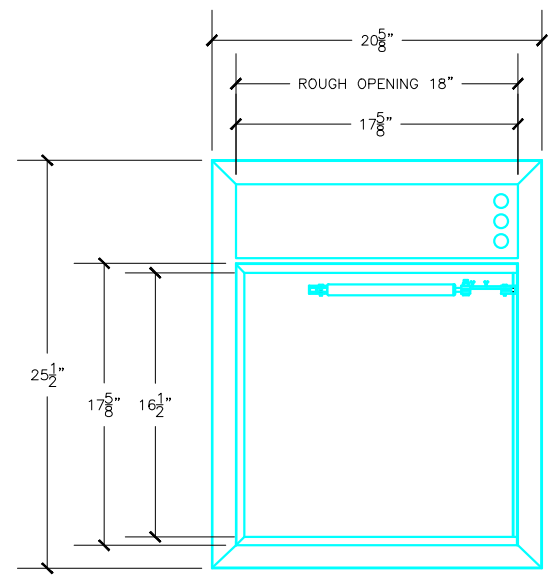
FRONT VIEW

18"X18" LEFT HINGED
A/D U.L. APPROVED
(NTS)

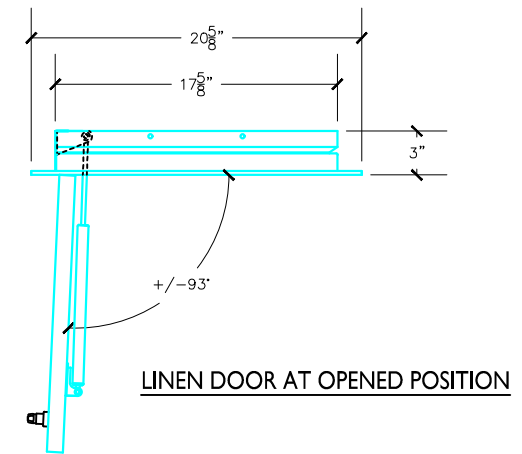


RIGHT VIEW

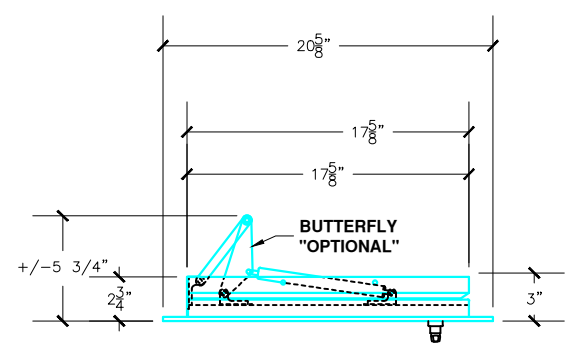
LEFT VIEW



REAR VIEW



Interlock Smart Door for Linen chute specifications:
Doors are fabricated with type 304 Stainless Steel, Stainless Steel hinges, with a self closing, self latching quiet door closing function. Classified 'UL' Class B labeled: 1-1/2 hour fire rated with 30-minute temperature rise of 250 degrees Fahrenheit and a frame suitable for enclosing multiple type chase construction. Doors are provided with key locking devices at each intake door location.



TOP VIEW

NOTE:
Rough opening required 18"x23³/₄"



10345 NW 13th Manor
Coral Springs, FL 33071
T: (954) 501-5161

E: esales@trashlinenchutes.com
www.trashlinenchutes.com

TRASHLINENCHUTES
QUALITY TRASH, LINEN & RECYCLING PRODUCTS

**INTERLOCK SMART DOOR FOR
LINEN CHUTE**

MODEL # ISD25L-90 18"X18" LD/LH I-1/2" TRIM