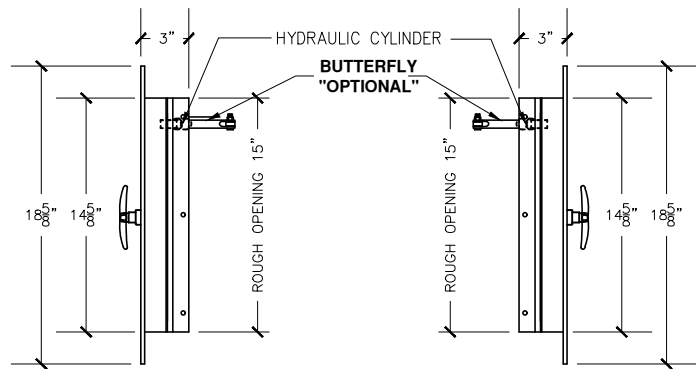


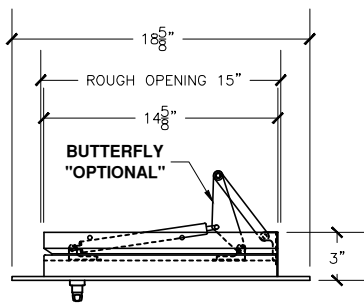
**FRONT VIEW**

15"X15" SIDE HINGED  
A/D U.L. APPROVED

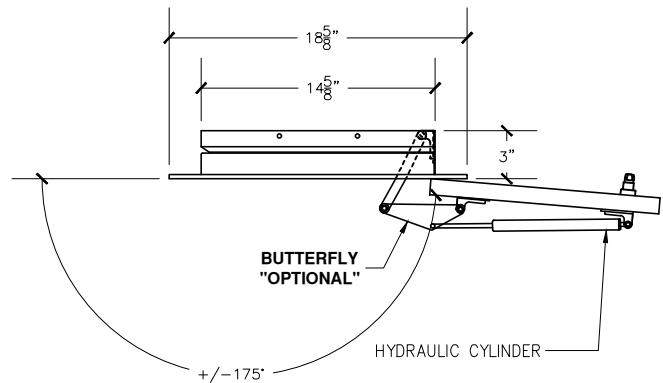


**RIGHT VIEW**

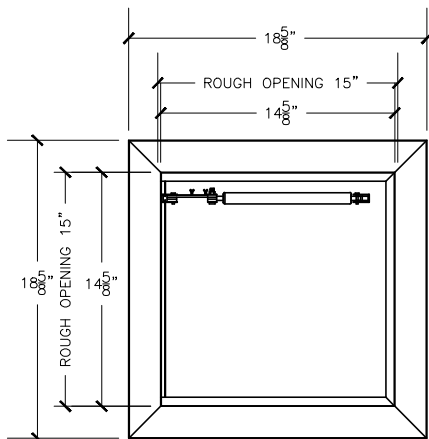
**LEFT VIEW**



**TOP VIEW**



**LINEN DOOR AT OPENED POSITION**



**REAR VIEW**

**Linen chute door specifications:**

Doors are fabricated with type 304 Stainless Steel, Stainless Steel Hinges, with a self closing, self latching quiet door closing function. Class B labeled: 1-1/2 hour fire rated with 30-minute temperature rise of 250 degrees Fahrenheit and a frame suitable for enclosing multiple type chase construction. Doors are provided with key locking devices at each intake door location. Door trim is embossed "LINEN".

**NOTE:**

Rough opening required 15"x15"



10345 NW 13th Manor  
Coral Springs, FL 33071  
T: (954) 501-5161

E: [esales@trashlinenchutes.com](mailto:esales@trashlinenchutes.com)  
www.trashlinenchutes.com

**TRASHLINENCHUTES**  
QUALITY TRASH, LINEN & RECYCLING PRODUCTS

**LINEN CHUTE INTAKE DOOR**  
MODEL # 20L2-180D 15"X15" LD/RH 2" TRIM