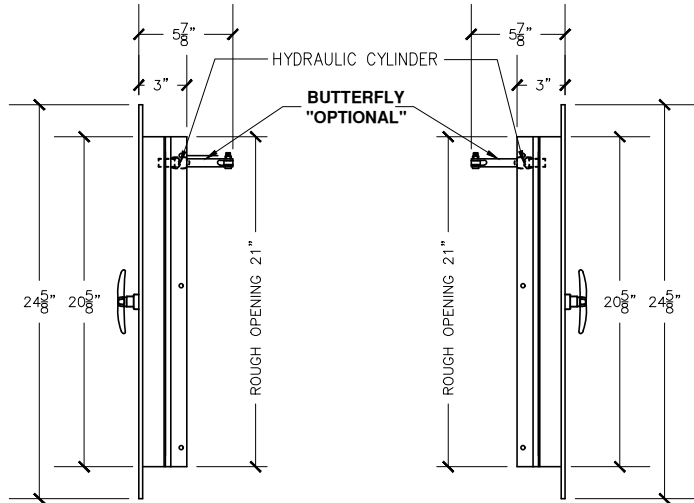


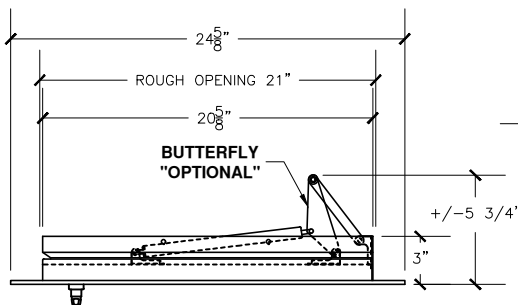
**FRONT VIEW**

21"X21" SIDE HINGED  
A/D U.L. APPROVED

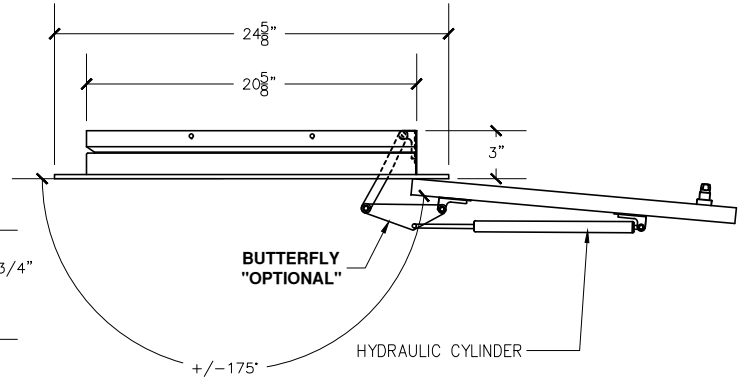


**RIGHT VIEW**

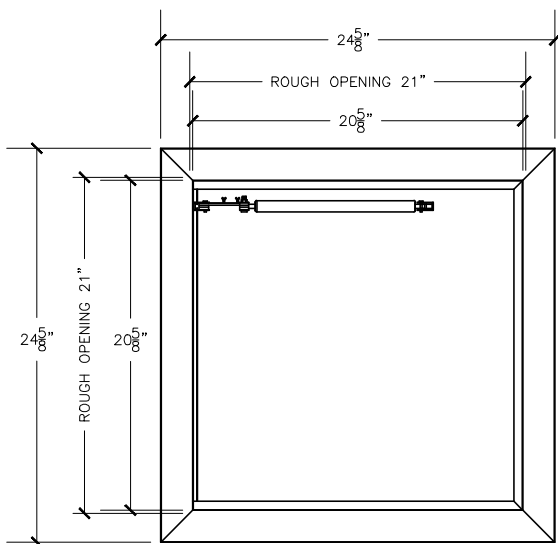
**LEFT VIEW**



**TOP VIEW**



**LINEN DOOR AT OPENED POSITION**



**REAR VIEW**

**NOTE:**

Rough opening required 21"x21"

Linen chute door specifications:

Doors are fabricated with type 304 Stainless Steel, Stainless Steel Hinges, with a self closing, self latching quiet door closing function. Class B labeled: 1-1/2 hour fire rated with 30-minute temperature rise of 250 degrees Fahrenheit and a frame suitable for enclosing multiple type chase construction. Doors are provided with key locking devices at each intake door location. Door trim is embossed "LINEN".

10345 NW 13th Manor  
Coral Springs, FL 33071  
T: (954) 501-5161

E: [esales@trashlinenchutes.com](mailto:esales@trashlinenchutes.com)  
[www.trashlinenchutes.com](http://www.trashlinenchutes.com)

**TRASHLINENCHUTES**  
QUALITY TRASH, LINEN & RECYCLING PRODUCTS

**LINEN CHUTE INTAKE DOOR**  
MODEL # 28L2-180D 21"X21" LD/RH 2" TRIM