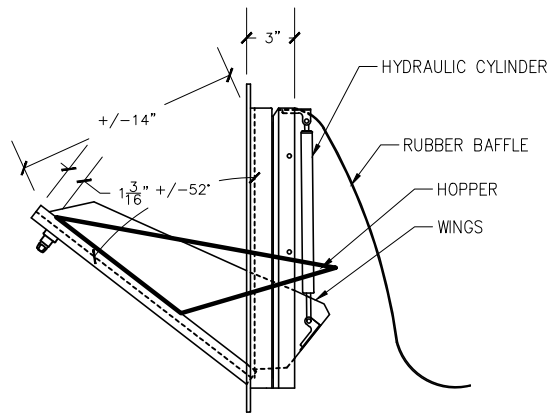


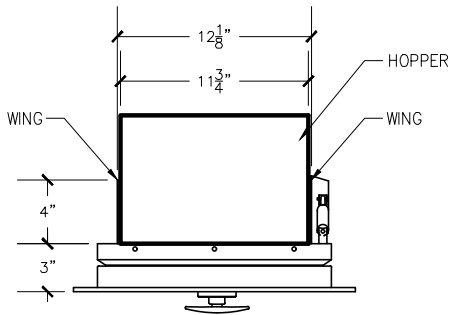
RIGHT VIEW

RUBBER BAFFLE NOT SHOWN



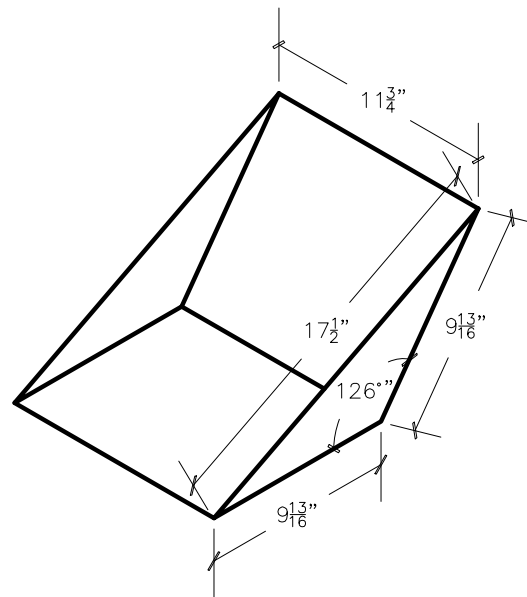
TRASH DOOR AT OPENED POSITION

WITH RUBBER BAFFLE



TOP VIEW

RUBBER BAFFLE NOT SHOWN



HOPPER DETAIL

Trash chute door specifications:

Doors are fabricated with type 304 Stainless Steel, Stainless Steel hinges, with a self closing, self latching quiet door closing function. Classified 'UL' Class B labeled: 1-1/2 hour fire rated with 30-minute temperature rise of 250 degrees Fahrenheit and a frame suitable for enclosing multiple type chase construction. Doors are provided with key locking devices at each intake door location. Door trim is embossed "**RUBBISH**".

NOTE:

1. Rough opening required 15"x18 3/4"
2. Hopper welded to door.



10345 NW 13th Manor  
Coral Springs, FL 33071  
T: (954) 501-5161

E: [esales@trashlinenchutes.com](mailto:esales@trashlinenchutes.com)  
[www.trashlinenchutes.com](http://www.trashlinenchutes.com)

**TRASHLINENCHUTES**  
QUALITY TRASH, LINEN & RECYCLING PRODUCTS

**TRASH CHUTE INTAKE DOOR  
W/ HOPPER**

MODEL # 35B 15"X18" TD/BH 1-1/2" TRIM/H