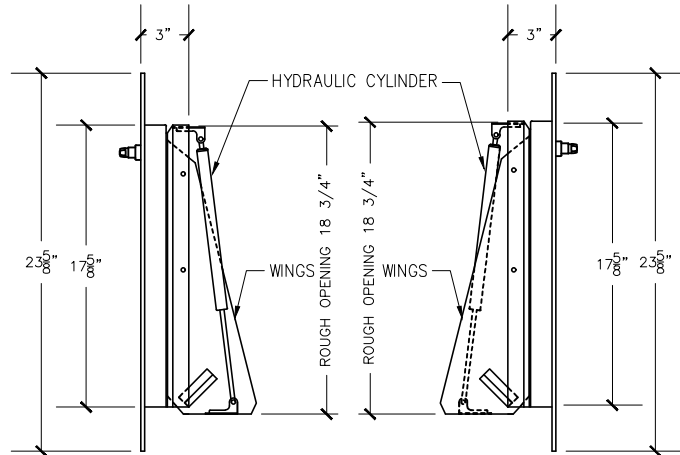


FRONT VIEW

18"X18" BOTTOM HINGED
A/D U.L. APPROVED
W/ RUBBER BAFFLE
(NTS)

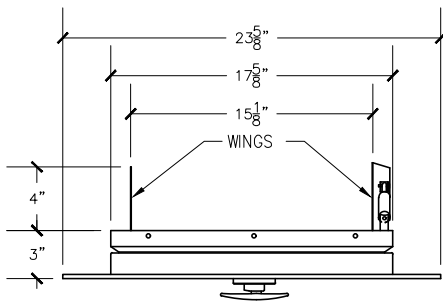


RIGHT VIEW

RUBBER BAFFLE NOT SHOWN

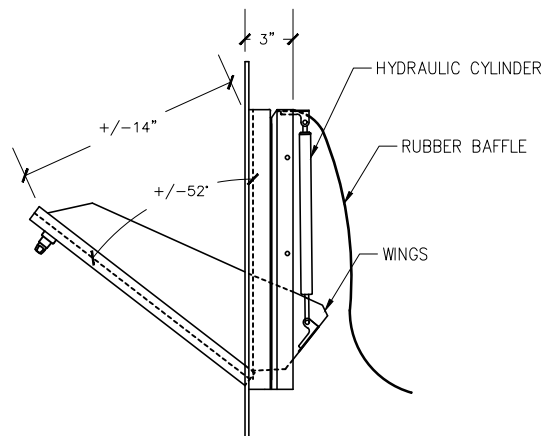
LEFT VIEW

RUBBER BAFFLE NOT SHOWN



TOP VIEW

RUBBER BAFFLE NOT SHOWN

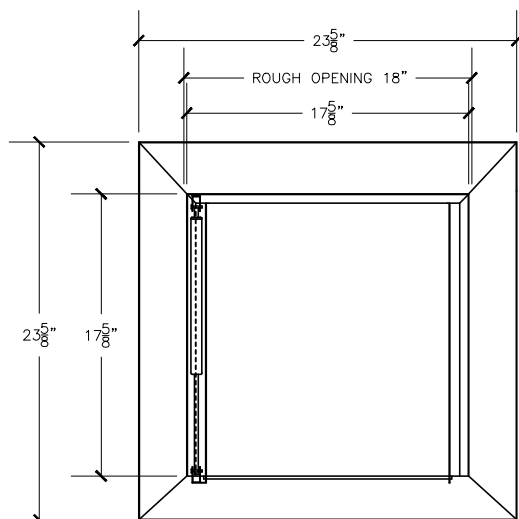


TRASH DOOR AT OPENED POSITION

WITH RUBBER BAFFLE

Trash chute door specifications:

Doors are fabricated with type 304 Stainless Steel, Stainless Steel hinges, with a self closing, self latching quiet door closing function. Classified 'UL' Class B labeled: 1-1/2 hour fire rated with 30-minute temperature rise of 250 degrees Fahrenheit and a frame suitable for enclosing multiple type chase construction. Doors are provided with key locking devices at each intake door location. Door trim is embossed "**RUBBISH**".



REAR VIEW

RUBBER BAFFLE NOT SHOWN

NOTE:

Rough opening required 18 "x18 3/4"



10345 NW 13th Manor
Coral Springs, FL 33071
T: (954) 501-5161

E: esales@trashlinenchutes.com
www.trashlinenchutes.com

TRASHLINENCHUTES
QUALITY TRASH, LINEN & RECYCLING PRODUCTS

TRASH CHUTE INTAKE DOOR
MODEL # 40B3 18"X18" TD/BH 3" TRIM