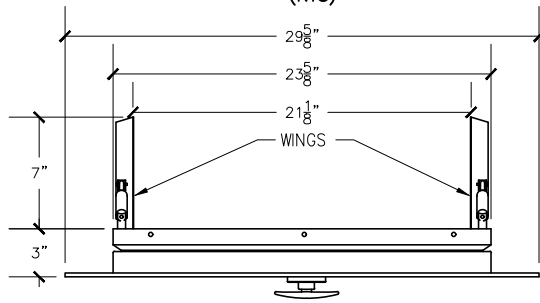


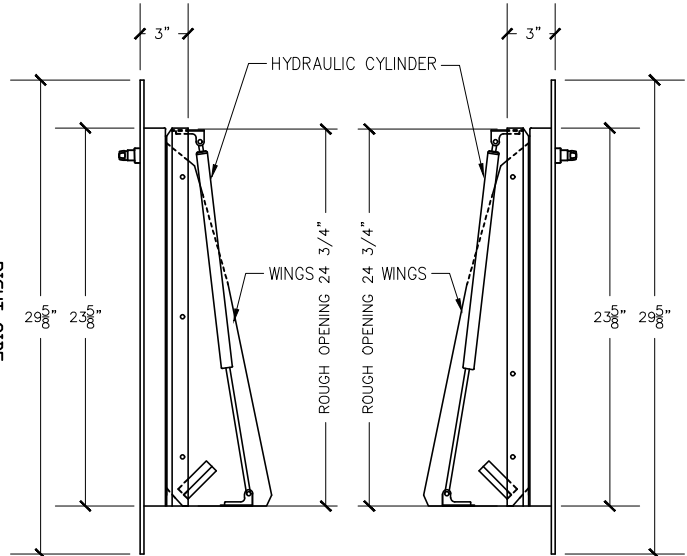
FRONT VIEW

24"X24" BOTTOM HINGED
A/D U.L. APPROVED
W/ RUBBER BAFFLE
(NTS)



TOP VIEW

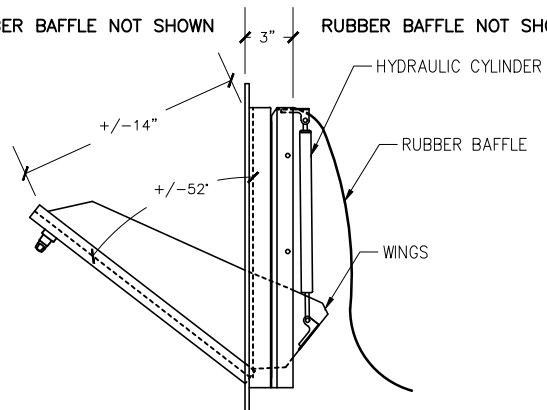
RUBBER BAFFLE NOT SHOWN



RIGHT VIEW

LEFT VIEW

RUBBER BAFFLE NOT SHOWN

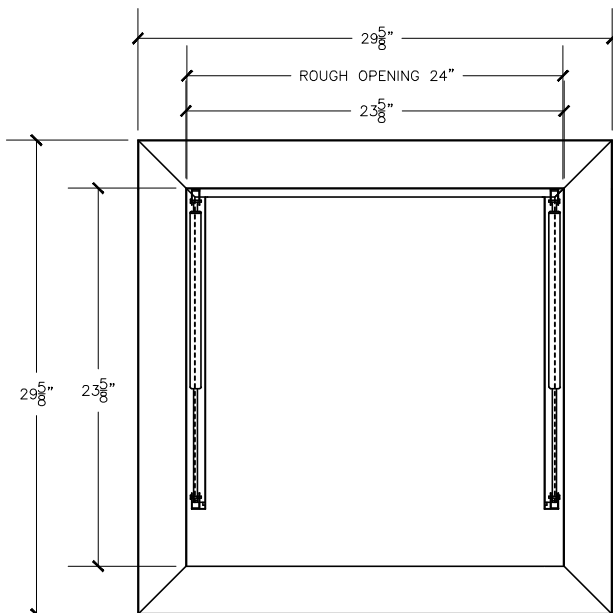


TRASH DOOR AT OPENED POSITION

WITH RUBBER BAFFLE

Trash chute door specifications:

Doors are fabricated with type 304 Stainless Steel, Stainless Steel hinges, with a self closing, self latching quiet door closing function. Classified 'UL' Class B labeled: 1-1/2 hour fire rated with 30-minute temperature rise of 250 degrees Fahrenheit and a frame suitable for enclosing multiple type chase construction. Doors are provided with key locking devices at each intake door location. Door trim is embossed "**RUBBISH**".



REAR VIEW

RUBBER BAFFLE NOT SHOWN

NOTE:

Rough opening required 24"x24 3/4"



10345 NW 13th Manor
Coral Springs, FL 33071
T: (954) 501-5161

E: esales@trashlinenchutes.com
www.trashlinenchutes.com

TRASHLINENCHUTES
QUALITY TRASH, LINEN & RECYCLING PRODUCTS

TRASH CHUTE INTAKE DOOR
MODEL # 45B3 24"X24" TD/BH 3" TRIM