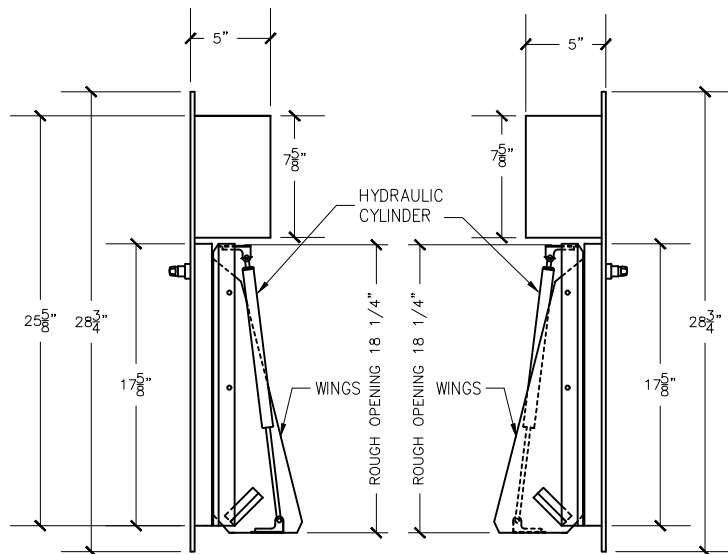


FRONT VIEW

15"X18" BOTTOM HINGED
A/D U.L. APPROVED
W/ RUBBER BAFFLE
(NTS)

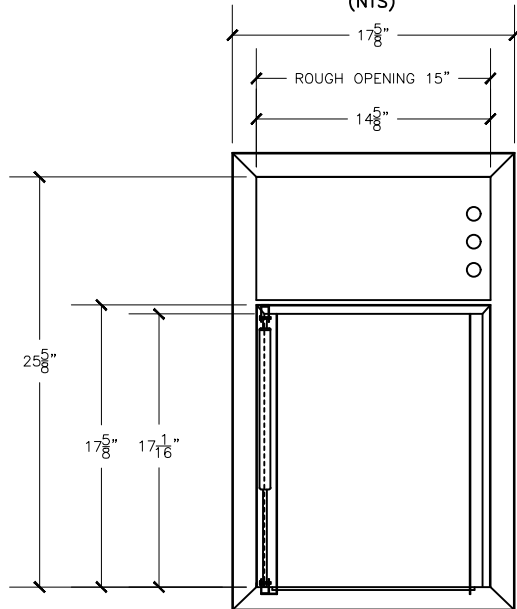


RIGHT VIEW

LEFT VIEW

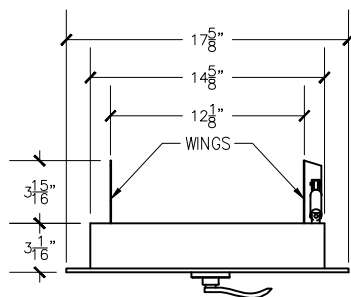
RUBBER BAFFLE NOT SHOWN

RUBBER BAFFLE NOT SHOWN

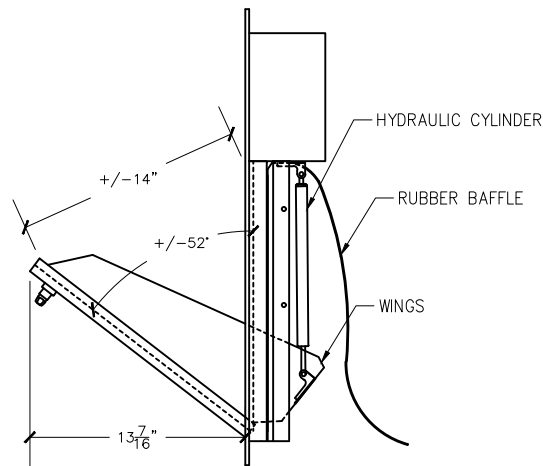


REAR VIEW

RUBBER BAFFLE NOT SHOWN



TOP VIEW




TRASH DOOR AT OPENED POSITION

WITH RUBBER BAFFLE

Interlock Smart Door for Trash chute specifications:

Doors are fabricated with type 304 Stainless Steel, Stainless Steel hinges, with a self closing, self latching quiet door closing function. Classified 'UL' Class B labeled: 1-1/2 hour fire rated with 30-minute temperature rise of 250 degrees Fahrenheit and a frame suitable for enclosing multiple type chase construction. Doors are provided with key locking devices at each intake door location. Door trim is embossed "RUBBISH".



TLC

10345 NW 13th Manor
Coral Springs, FL 33071
T: (954) 501-5161

E: esales@trashlinenchutes.com
W: www.trashlinenchutes.com

TRASHLINENCHUTES

QUALITY TRASH, LINEN & RECYCLING PRODUCTS

**TRIPLE SORTER
INTER-LOCK SMART DOOR**

MODEL # ISD35B-SRT-ADA 15"X18"
TD/BH 1-1/2" TRIM