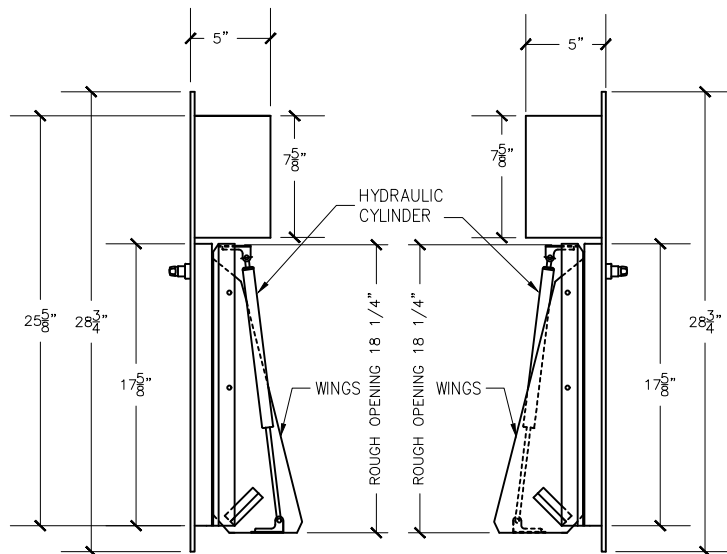
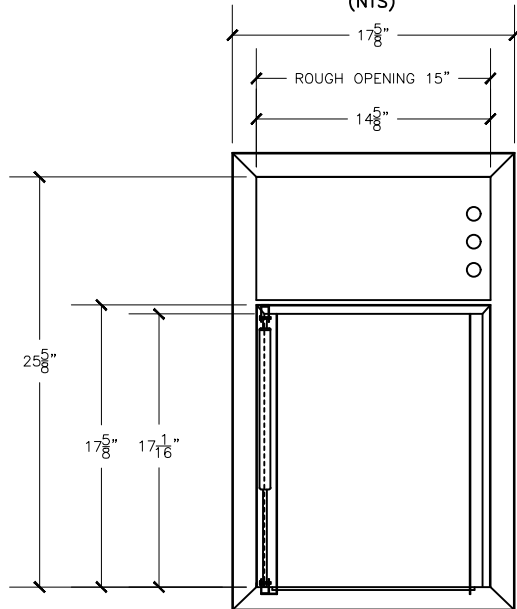


FRONT VIEW
15"X18" BOTTOM HINGED
A/D U.L. APPROVED
W/ RUBBER BAFFLE
(NTS)

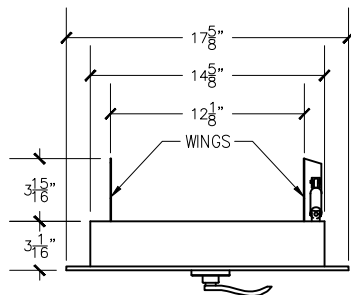


RIGHT VIEW
RUBBER BAFFLE NOT SHOWN

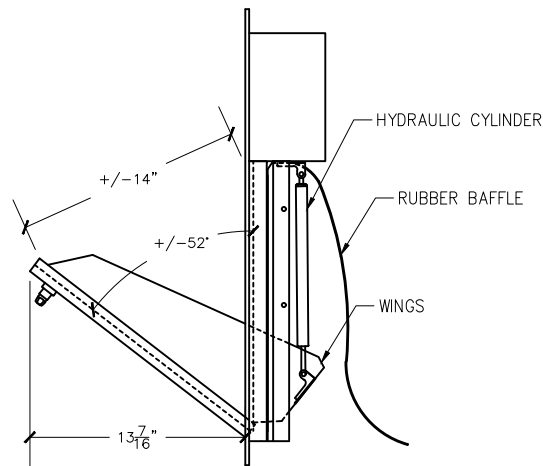
LEFT VIEW
RUBBER BAFFLE NOT SHOWN



REAR VIEW
RUBBER BAFFLE NOT SHOWN



TOP VIEW



Interlock Smart Door for Trash chute specifications:

Doors are fabricated with type 304 Stainless Steel, Stainless Steel hinges, with a self closing, self latching quiet door closing function. Classified 'UL' Class B labeled: 1-1/2 hour fire rated with 30-minute temperature rise of 250 degrees Fahrenheit and a frame suitable for enclosing multiple type chase construction. Doors are provided with key locking devices at each intake door location. Door trim is embossed "RUBBISH".



TLC

10345 NW 13th Manor
Coral Springs, FL 33071
T: (954) 501-5161

E: esales@trashlinenchutes.com
W: www.trashlinenchutes.com

TRASHLINENCHUTES

QUALITY TRASH, LINEN & RECYCLING PRODUCTS

**TWIN SORTER
INTER-LOCK SMART DOOR**

MODEL # ISD35B-TWIN-SRT-ADA 15"X18"
TD/BH 1-1/2" TRIM