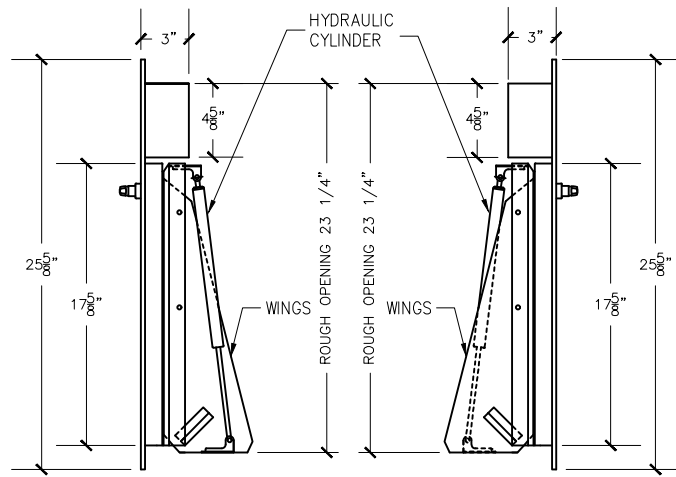


**FRONT VIEW**

15"X18" BOTTOM HINGED  
A/D U.L. APPROVED  
W/ RUBBER BAFFLE  
(NTS)

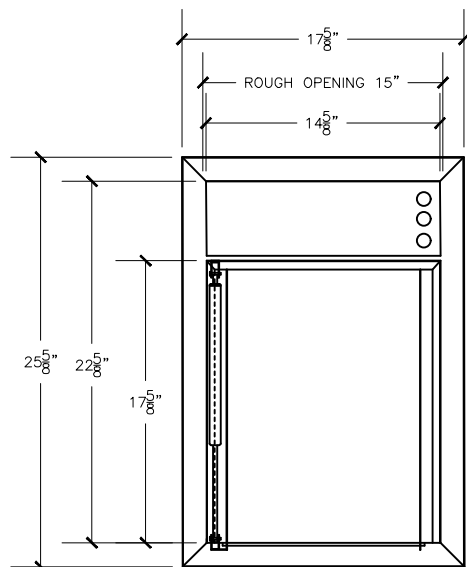


**RIGHT VIEW**

RUBBER BAFFLE NOT SHOWN

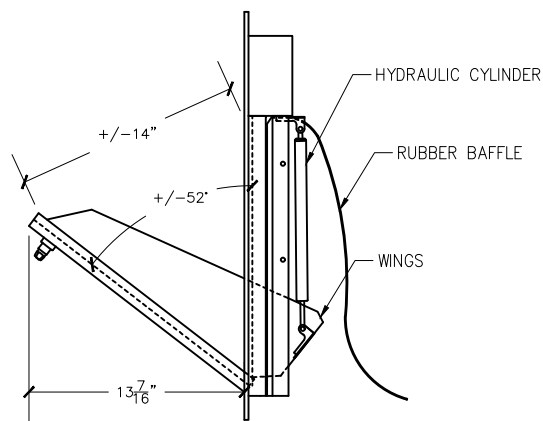
**LEFT VIEW**

RUBBER BAFFLE NOT SHOWN



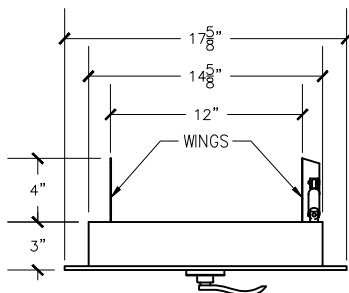
**REAR VIEW**

RUBBER BAFFLE NOT SHOWN



**TRASH DOOR AT OPENED POSITION**

WITH RUBBER BAFFLE



**TOP VIEW**

**Interlock Smart Door for Trash chute specifications:**

Doors are fabricated with type 304 Stainless Steel, Stainless Steel hinges, with a self closing, self latching quiet door closing function. Classified 'UL' Class B labeled: 1-1/2 hour fire rated with 30-minute temperature rise of 250 degrees Fahrenheit and a frame suitable for enclosing multiple type chase construction. Doors are provided with key locking devices at each intake door location. Door trim is embossed "**RUBBISH**".

NOTE:  
ROUGH OPENING REQUIRED: 15"X23 3/4"



10345 NW 13th Manor  
Coral Springs, FL 33071  
T: (954) 501-5161

E: [esales@trashlinenchutes.com](mailto:esales@trashlinenchutes.com)  
[www.trashlinenchutes.com](http://www.trashlinenchutes.com)

**TRASHLINENCHUTES**  
QUALITY TRASH, LINEN & RECYCLING PRODUCTS

**INTER-LOCK SMART DOOR**

MODEL # ISD35B-ADA 15"X18"  
TD/BH 1-1/2" TRIM